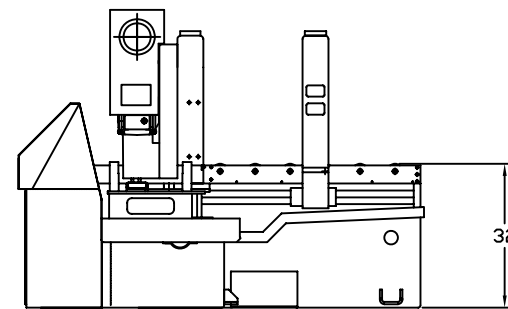
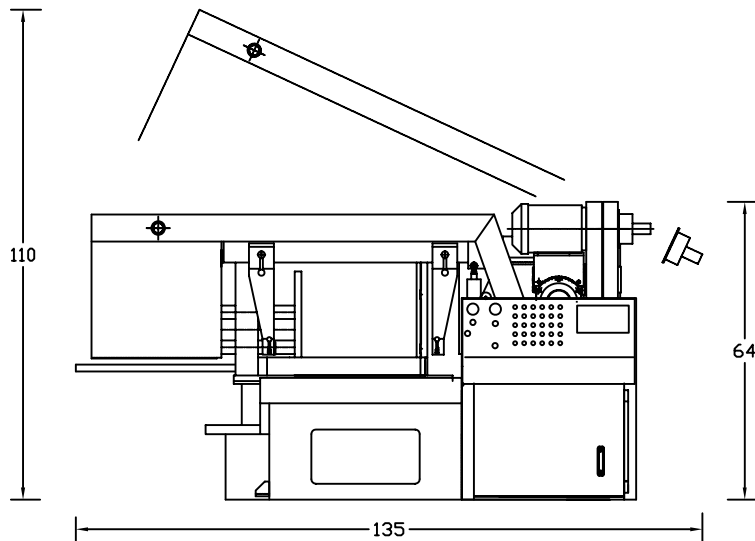


- CAPACITY - 20" DIA
- 30" x 20"
- BLADE - 1 1/2 x 20' 6"
- BLADE DRIVE - 10 HP
- HYDRAULIC DRIVE - 3 HP
- MACHINE WEIGHT - 7700 LBS



TOLERANCES UNLESS
OTHERWISE SPECIFIED

2 PLC DEC
3 PLC DEC

FRACTIONAL
ANGULAR

DWN DATE
WR OCT. 03, 95

SCALE

HYD-MECH ENGINEERING LTD
WOODSTOCK, ONTARIO

TITLE

M20 PRODUCTION BAND SAW

DWG. NO.

M20-0-01