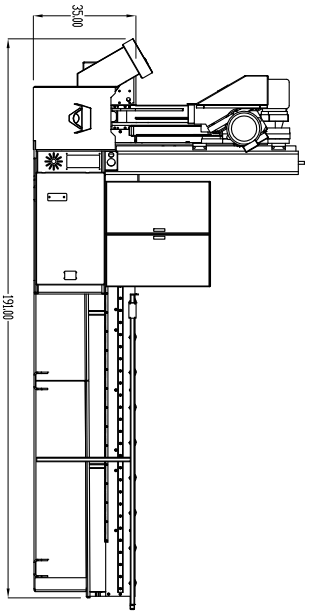
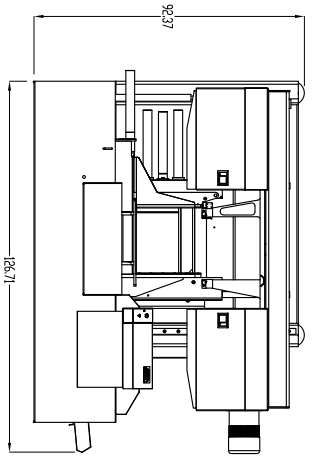
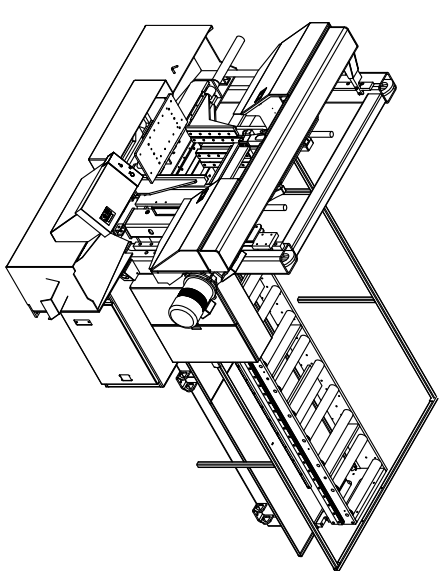


FOUNDATION PLAN



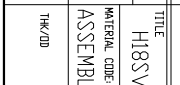
THE INFORMATION CONTAINED HEREIN IS REPRESENTATIVE AND CONVEYING APPROXIMATE LOCATION OR DISTRIBUTION OF ANY PART. EXACT DIMENSIONS OF PARTS GROUPING DATA IS THE PROPERTY OF HYD-MECH GROUP AND ITS POSSESSION. CONSENT TO LICENSE TO USE OR RIGHT OR LICENSE TO INCLUDE IT IN OTHERS FOR ANY PURPOSES. WAIVED.

REVISIONS

REV	ECN NUMBER	DATE	BY
-	ECON0021	JUNE 2015	MS

STANDARD TOLERANCES UNLESS OTHERWISE SPECIFIED

DIMENSIONS ARE IN INCHES	
LINEAR	ANGULAR
X +/- .05 IN	X X +/- .05 DEG
XX +/- .010 IN	
XXX +/- .005 IN	
= 125 MICRONS	



HYD - MECH
The Best Solid Solution

HYD - MECH GROUP LIMITED
WINDUSTOK - DINKARDI - CANADA N4S 8H4

TITLE		MATERIAL CODE		SAW CUT LENGTH		DRAWN BY:		CHECKED BY:		SCALE		SHEET		REV	
H18SV 10' BAREFEED		ASSEMBLY		MATERIAL		LENGTH		DATE		1:40		1 OF 1		-	
OVERALL DIMENSIONS		WALL/VT		LENGTH		PART WEIGHT		DRAWING NUMBER:		H18SV - G0-00A					