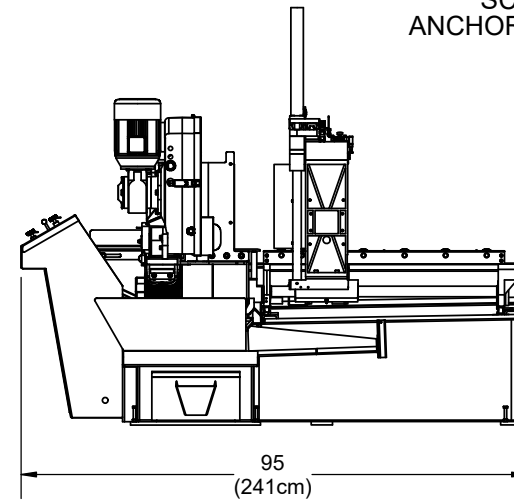
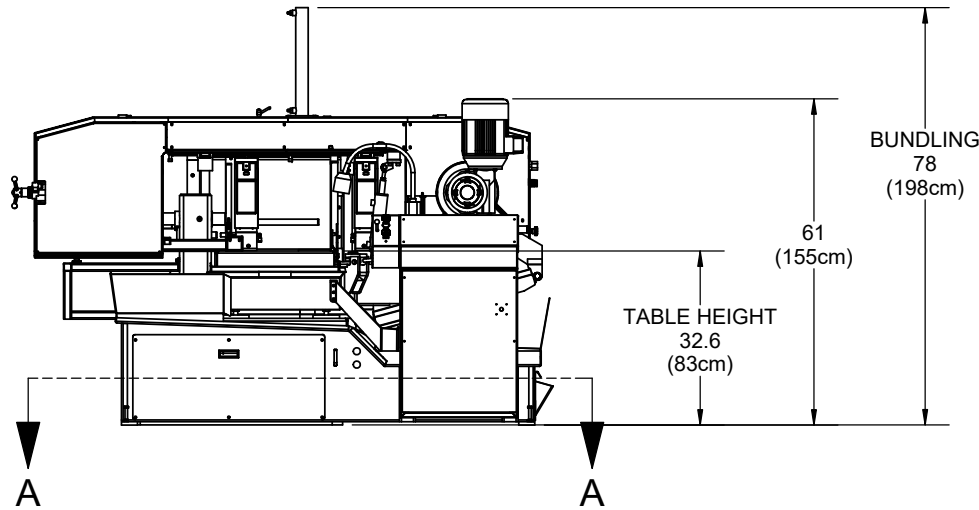


SECTION A-A
FOUNDATION PLAN

DETAIL B
SCALE 1 : 12
ANCHOR POINT DETAIL



THE DATA/DESIGN CONTAINED HEREIN IS PROPRIETARY AND CONFIDENTIAL. REPRODUCTION, PUBLICATION OR DISTRIBUTION OF ANY PART REQUIRES WRITTEN CONSENT OF HYD MECH GROUP. THIS DATA IS THE PROPERTY OF HYD MECH GROUP AND ITS POSSESSION CONFERS NO LICENSE TO USE OR RIGHT OR LICENSE TO DISCLOSE IT TO OTHERS FOR ANY PURPOSE WHATSOEVER. ALL RIGHTS RESERVED.

| REVISIONS | | | | STANDARD TOLERANCES UNLESS OTHERWISE SPECIFIED | |
|-----------|------------|------|----|--|-----------------|
| REV | ECN NUMBER | DATE | BY | DIMENSIONS ARE IN INCHES | |
| - | - | - | - | LINEAR | ANGULAR |
| - | - | - | - | X +/- .015 IN | X.X +/- 0.5 DEG |
| - | - | - | - | .XX +/- .010 IN | |
| - | - | - | - | .XXX +/- .005 IN | |
| - | - | - | - | = 125 MICROINCHES | |

| HYD - MECH GROUP LIMITED | | | | | |
|------------------------------------|----------|----------------|-----------------------------|------------|--------|
| WOODSTOCK, ONTARIO, CANADA N4S 0A9 | | | | | |
| TITLE: S23HMA BANDSAW MACHINE | | | | | |
| MATERIAL CODE: | MATL: | SAW CUT LENGTH | DRWN BY: MSLOS | CHKD BY: | SCALE |
| ASSEMBLY | | | DATE: OCT 2013 | DATE: | 1:36 |
| OVERALL DIMENSIONS | | | PART WEIGHT | COATING | SHEET |
| THK/OD | WIDTH/ID | WALL/WT | | No Coating | 1 OF 2 |
| LENGTH | | | DRAWING NUMBER: S23HMA-0-00 | | |